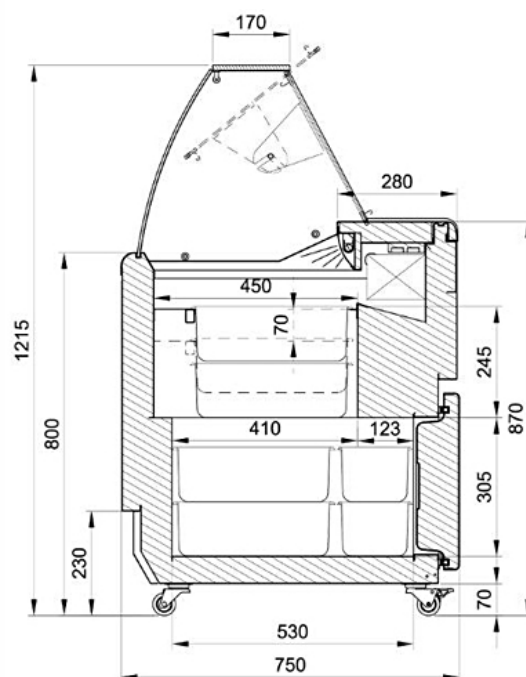


Ice cream display - J-Calipso



J-Calipso*

Technical parameters:

Model	Dimensions (ext.) H x W x D [mm]	Display/Storage Capacity	Weight [kg]
J-Calipso 7	1135 x 1310 x 750	7/12	120
J-Calipso 9	1135 x 1640 x 750	9/18	150

* - Picture above presents unit with either some or all available extras. Please note that the look of basic version of cabinet, or one of your choice, may vary from presented.

Ice cream display - J-Calipso



J-Calipso*

Description:

- temperature range -12 / -22°C
- preferred ambient temperature +16 / +28°C
- power supply 230V / 50Hz
- internal condensing unit
- ecological polyurethane insulation
- external housing and interior made of white coated steel
- front and base panels made of ABS
- stainless steel worktop
- space for 7 VGN containers(360x165x150mm) - J-Calipso 7
- space for 9 VGN containers(360x165x150mm) - J-Calipso 9
- space for additional containers below exposition area
- understorage
- curved front glass
- white LED lighting
- perspex manual blind
- forced air circulation
- electronic control with temperature display
- automatic defrost and condensate evaporation system
- 1 year full warranty service and after warranty service provided

Available options:

- scoop washer
- VGN containers (360x165x150mm)

*** - Picture above presents unit with either some or all available extras. Please note that the look of basic version of cabinet, or one of your choice, may vary from presented.**